

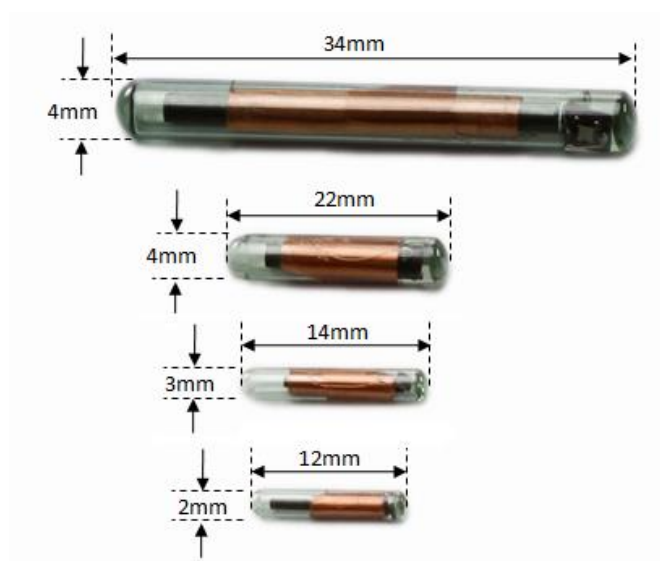
LF Glass Tag

Product Code: L13XXXX

RFID Glass tags are ideal for animal identification as well as medical testing applications. They are also suitable for automotive applications such as immobilizer. These tags are available in various sizes with different Chips & memory sizes.



Tag Dimensions



Electrical Specifications

Air Interface Protocol	ISO/IEC 11784/85, Read Only Mode, Animal Mode			
Operational Frequency	134.2kHz (125kHz on request)			
Chip**	NXP Hitag μ / EM4305			
	Memory organization HITAG μ (128 bit) 512-bit EEPROM organized in 16 words of 32 bit for EM4305			
Dimension	\varnothing 2 X 12 mm	\varnothing 3 X 14 mm	\varnothing 4 X 22 mm	\varnothing 4 X 34 mm
Product Code	L131219	L132132	L134219	L133219
Chip	NXP Hitag μ	EM4305	NXP Hitag μ	NXP Hitag μ
Read Range*	Up to 15 mm on GIS TS-RW 38 AC Reader	Up to 30 mm on GIS TS-RW 38 AC Reader	Up to 40 mm on GIS TS-RW 38 AC Reader	Up to 50 mm on GIS TS-RW 38 AC Reader
Operating temperature	-40°C to +85°C			
Storage temperature	-40°C to +85°C			
Ingress protection rating	IP68			
Attachment***	Syringe Injection			
Expected Lifetime	More than 5 Years in Normal Operating Conditions			

Physical and Mechanical Specification

Dimension	\varnothing 2 X 12 mm	\varnothing 3 X 14 mm	\varnothing 4 X 22 mm	\varnothing 4 X 34 mm
Weight	0.12 gm	0.25 gm	0.70 gm	1.2 gm
Encasement	Bio Glass			
Colour**	Black/Transparent			
Quality Assurance	100% read tested			

Chemical Resistance

Resistant to continuous exposure to salt water for 2 hours
Resistant to continuous exposure to motor oil for 2 hours
Additionally, abrasion resistant against HCL and IPA

Additional Services

Pre-encoding	On request
Customization***	Logo / text printing on request

Order Information

L13X132	With EM 4305
L13X192	With ATA 5577
L13X219	With NXP Hitag μ

For \varnothing 2 X 12 mm Glass Tag X value is 1

For \varnothing 3 X 14 mm Glass Tag X value is 2

For \varnothing 4 X 22 mm Glass Tag X value is 4

For \varnothing 4 X 34 mm Glass Tag X value is 3

(For Ex: L13X132 L132132 is \varnothing 3 X 14 mm Glass Tag with EM 4305 Chip)

- | | |
|-----|--|
| * | Actual read range may vary depending upon the reader |
| ** | Other on request |
| *** | Available as an option at extra cost |

Omnia Technologies Pvt. Ltd.

Corporate Office

Plot No. 145, Udyog Vihar Phase 1, Gurugram, Haryana-122016, INDIA

Manufacturing Unit

Plot No. 68, Sector-5, IMT Manesar, Gurugram, Haryana-122050, INDIA | +91(124)4366174, 4366411,+91(124)4366410 (Fax)